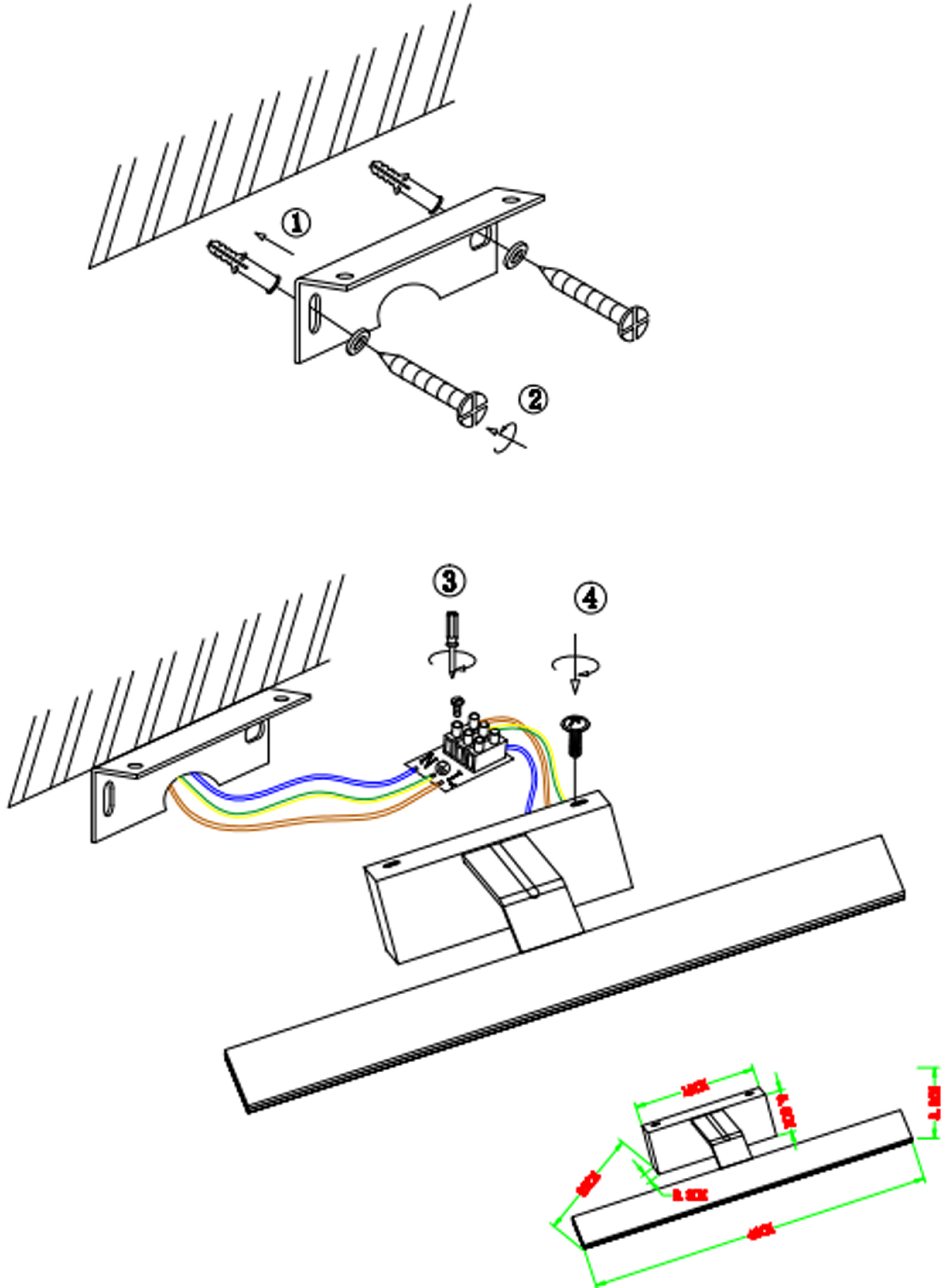


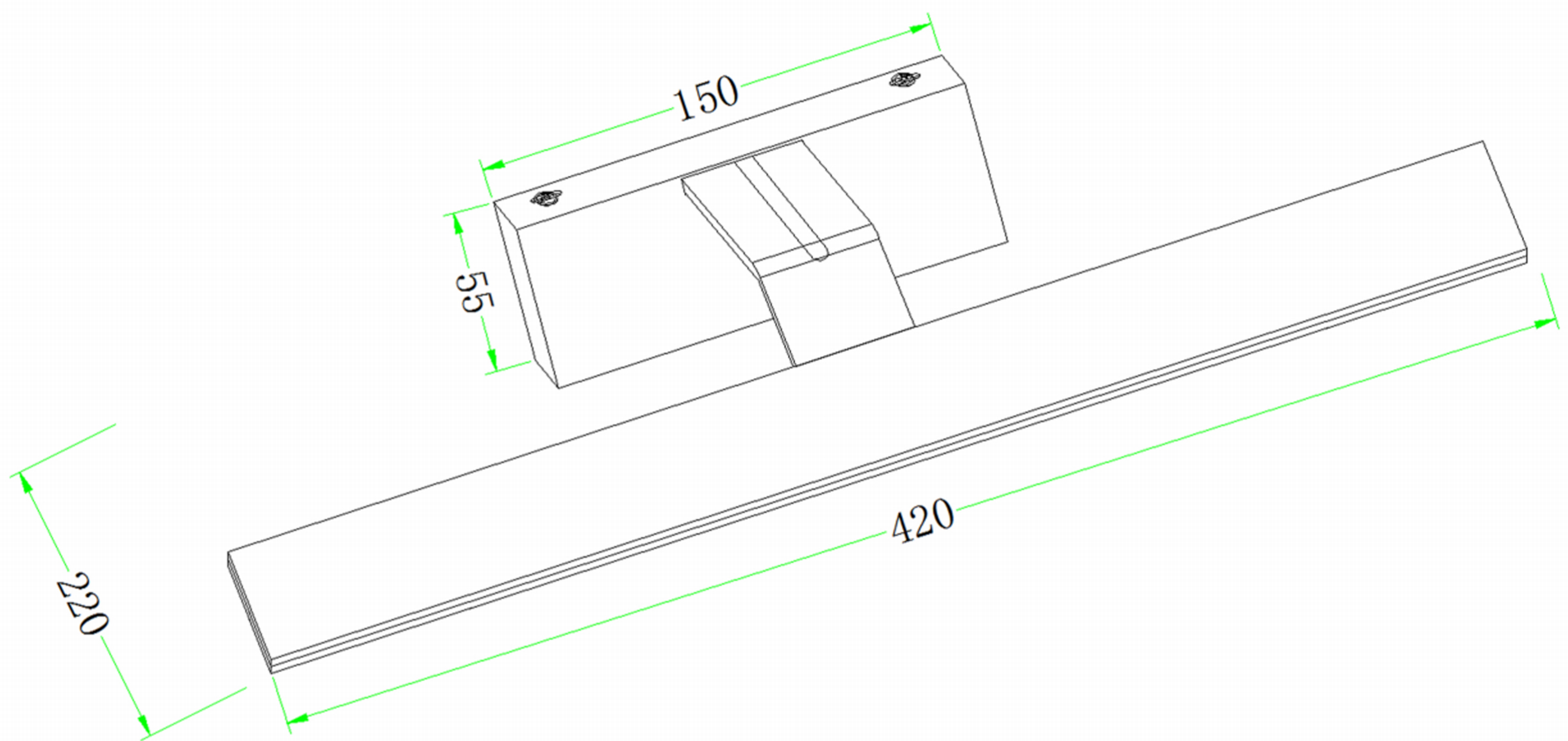
Specification of installation

In order to ensure safety use ,please notice the following items:

- .Read and understand the whole Specification.
- .Suitable for the use of 220-240V and 50-60hz.
- .Please wear gloves as installment and avoid rot on the surface of plating .
- .Must be installed on the fixed places and be checked annually.
- .Please turn off the lighting source by soft cloth as cleaning prohibited to use of rotted detergent .
- .Please connect with the local sales service center when there are any abnormality.



CLT 120W420



CLT 120W420